

Quick Start Guide

ATC200

Amber Instant C200

Cigarette Lighter GNSS Tracker

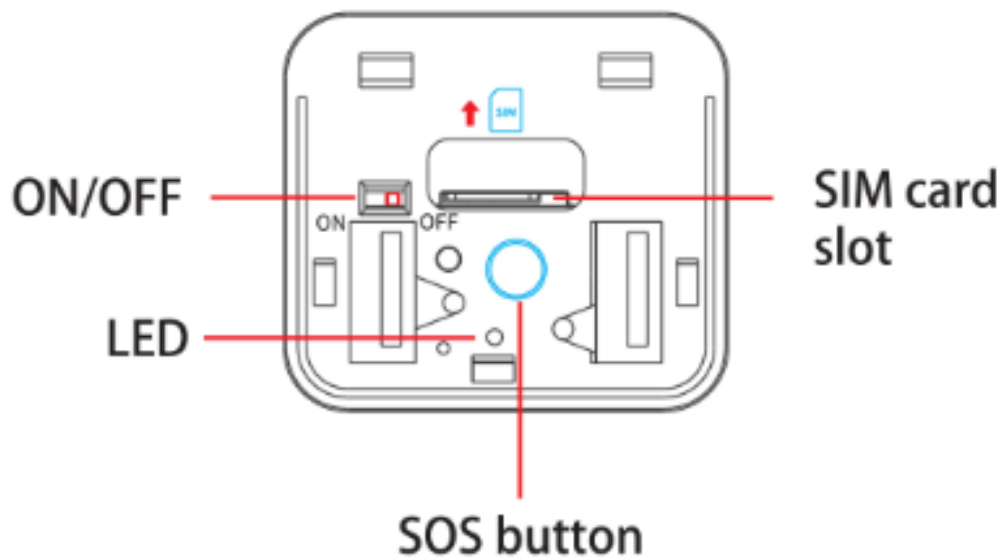
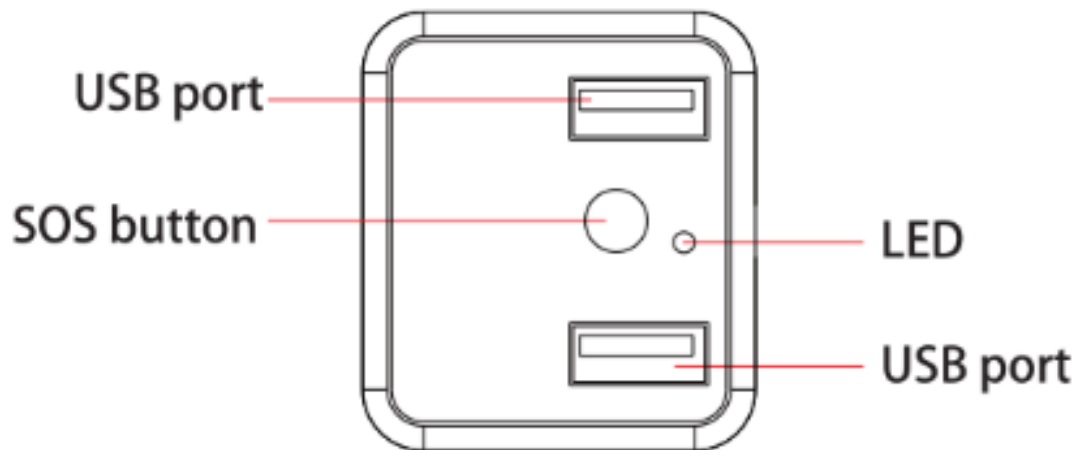
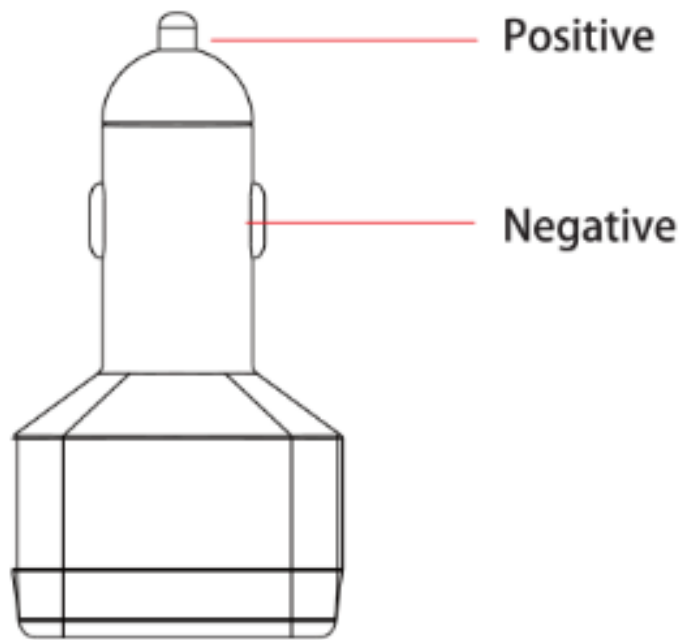
1
Install
Your device

2
Download
Amber Connect
App

3
Activate
the device

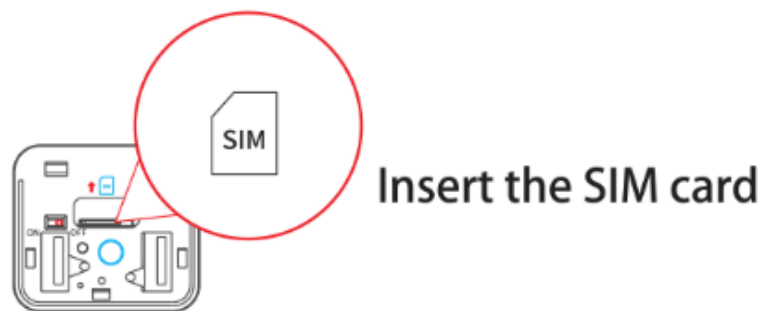
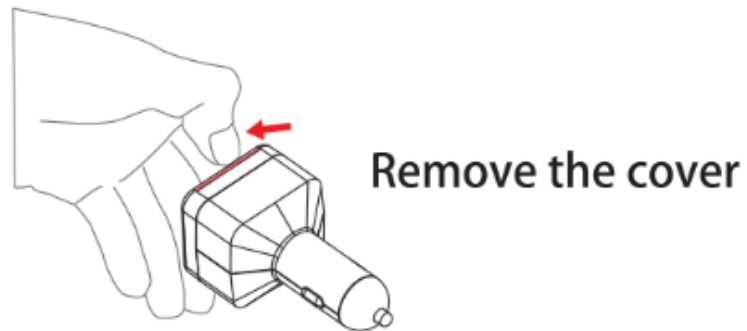


Overview

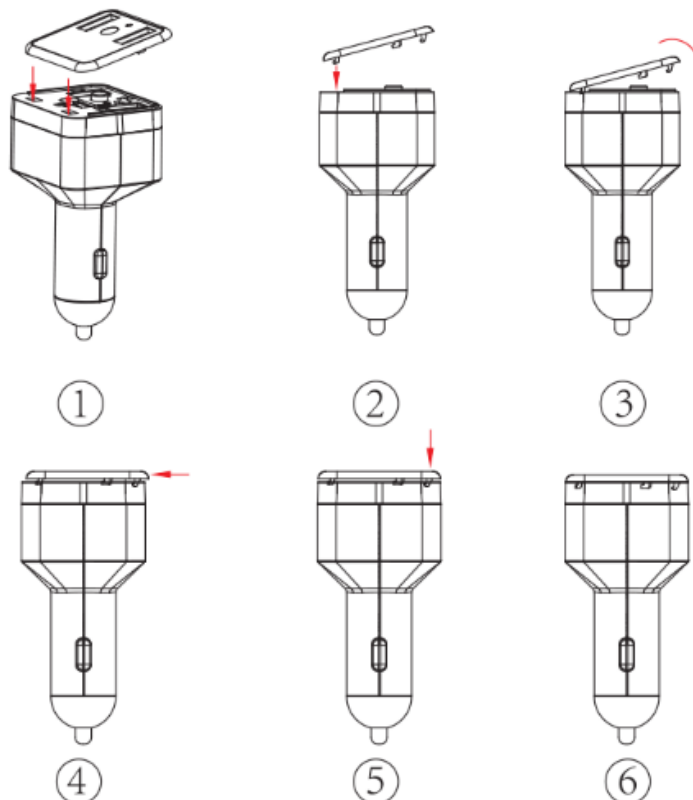


Inserting the SIM card

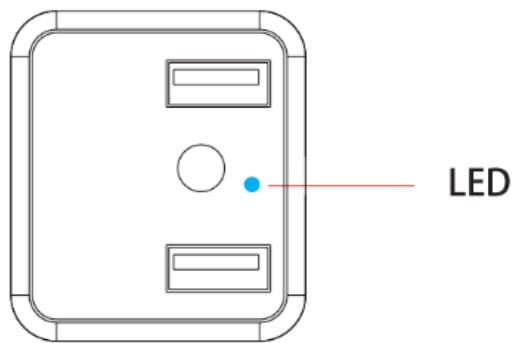
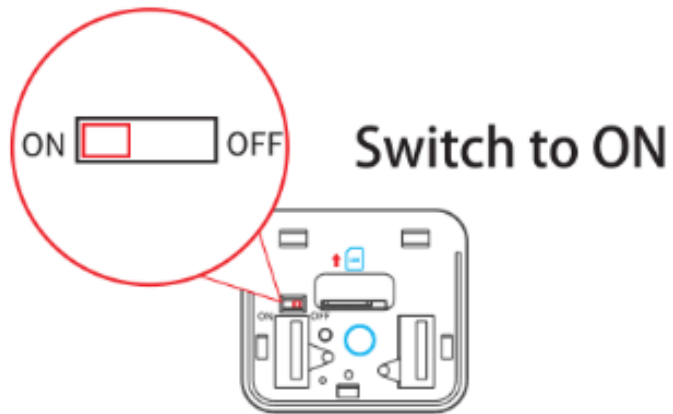
- Nano SIM card
- The SIM card should have access to SMS and GPRS (2G) service.



Carefully assemble the cover as shown in the following pictures:



Power On



- LED stays ON after inserting the SIM card, and the switch is in the ON position.
 - If the SIM card is successfully read, the LED will flicker four times before going off.
 - If the SIM card reading fails, the LED will be OFF in 3 minutes.

Power Off

- Plug out the charger and turn the switch to the OFF position to power off the device.
- If the device is plugged out unexpectedly, the alarm will be triggered, and a message will be sent.

SOS Call

Press the SOS button for more than 3 seconds to activate the SOS alarm. The device will send the location information message to the SOS number and platform.

Geo-fence

You can set a maximum of 5 geo-fence areas (in B2C). When the device enters or leaves a geofence area, a text message will be sent to the designated SOS numbers.

Technical specifications

- Battery: 3.7V/130mAh lithium-polymer battery
- Network Type: GSM
- Frequency: GSM 850/900/1800 / 1900MHz
- 5V USB charging port
- Working voltage: 9-15VDC
- Working temperature: -20° ~ 60°
- Humidity range: 5% - 95%non-condensing
- Dimensions: 84.0*44.0*38.0mm
- Weight: 102.8G



Need help? Contact 24/7 live support!



In App Chat



support@amberconnect.com



Chat via website www.amberconnect.com

Works with Android phones and tablets, iPhone, iPad.

Compatible with Chrome, Mac and PC web browsers.

Download on the
App Store

Get it on
Google play



Amber Connect

Scan this QR code to download your App

©2022 Amber Connect Limited. All rights reserved